



NIKO  
HEATING

# HEATING COLLECTION

In tune with your lifestyle





Niko Heating have a collection of high quality heating products and plumbing fittings, carefully chosen for Irish consumers. The Heating Collection has been carefully selected based on over thirty years of Customer Service, Quality, and Product Knowledge.

Our comprehensive radiator range combined with nationwide delivery and backup make us the number one choice for the Heating and Plumbing trade in Ireland. We distribute our products throughout Ireland via a network of selected quality stockists.

#### **Our Ranges**

<b>Revive</b> Column Vertical & Horizontal	<b>04</b>
<b>Valerie</b> Vertical Flat Panel	<b>08</b>
<b>Hayley</b> Horizontal Flat Panel	<b>10</b>
<b>Towel Warmers</b> Designer radiators to suit your home	<b>12</b>
<b>Mariah</b> Dual Column Mirror Radiator	<b>20</b>
<b>Rua</b> Designer Flat Panel	<b>22</b>
<b>Sara</b> Vertical Panel Radiators	<b>24</b>
<b>Imas</b> Compact Radiator Range	<b>26</b>
<b>Valves</b>	<b>32</b>
<b>Technical Specifications</b>	<b>36</b>

# REVIVE

Column Vertical & Horizontal



## REVIVE 2 COLUMN VERTICAL

A collection of column radiators made to the highest standards to provide complete customer satisfaction.

These radiators are stylish replacements for standard panel radiators, and can be arranged in similar positions, with minimum disruption.

The White and Black models fit timelessly in both contemporary and period interiors, while the Raw Metal design adds a striking touch to any modern or retro interior.

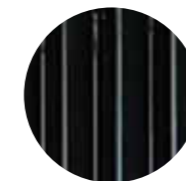
	Colour	Height (mm)	Width (mm)	BTU	Watts	Pipe Centres	
U2150-8	White	1500	398	2839	832	488	€384.87
U2180-8	White	1800	398	3385	992	488	€436.53
U2180-10	White	1800	490	4231	1240	580	€552.27
U2200-8	White	2000	398	3767	1104	488	€488.19
U2200-10	White	2000	490	4709	1380	580	€643.17
U2180-10-RM	Raw Metal	1800	490	4231	1240	580	€643.17
U2200-10-RM	Raw Metal	2000	490	4709	1380	580	€678.05
U2180-10-BK	Black	1800	490	4231	1240	580	€643.17
U2200-10-BK	Black	2000	490	4709	1380	580	€678.05

## REVIVE 3 COLUMN VERTICAL

	Colour	Height (mm)	Width (mm)	BTU	Watts	Pipe Centres	
U3200-10	White	2000	490	6244	1830	580	€850.00
U3200-10-RM	Raw Metal	2000	490	6244	1830	580	€1,095.00
U3180-10	White	1800	490	5664	1660	580	€850.00
U3180-10-RM	Raw Metal	1800	490	5664	1660	580	€1,035.00



Raw Metal



Black



White

### VALVE RECOMMENDATION

Our valve recommendation is a 1/2" Bentley Thermostatic Radiator Valve Lock-Shield Pack in Black Nickel.

Code EV- B15BN

See our full valve section for more options - starting on page 32.





## REVIVE 3 COLUMN HORIZONTAL

	Colour	Height (mm)	Width (mm)	BTU	Watts	Pipe Centres	
U3060-13	White	600	628	2701	792	718	€400.37
U3060-19	White	600	904	3948	1157	994	€542.43
U3060-25	White	600	1180	5195	1523	1270	€736.16
U3060-32	White	600	1502	6649	1949	1592	€916.97
U3060-36	White	600	1686	7480	2192	1776	€1,020.29
U3060-13-RM	Raw Metal	600	628	2701	792	718	€477.86
U3060-19-RM	Raw Metal	600	904	3948	1157	994	€658.67
U3060-25-RM	Raw Metal	600	1180	5195	1523	1270	€865.31
U3060-32-RM	Raw Metal	600	1502	6649	1949	1592	€1,097.78
U3060-36-RM	Raw Metal	600	1686	7480	2192	1776	€1,226.93
U3060-13-BK	Black	600	628	2701	792	718	€477.86
U3060-19-BK	Black	600	904	3948	1157	994	€658.67
U3060-25-BK	Black	600	1180	5195	1523	1270	€865.31
U3060-32-BK	Black	600	1502	6649	1949	1592	€1,097.78
U3060-36-BK	Black	600	1686	7480	2192	1776	€1,226.93

Note \* Additional sizes available to order

### Radiator Feet

Although radiator feet create the appearance of a free-standing radiator, they only support its weight, so you will still need to use the wall brackets supplied. Available in Black, Raw Metal and White. Height 100mm.



UCRFW €55.35  
Revive Column Radiator Feet White (pack of 2 feet)



UCRFBK €79.95  
Revive Column Radiator Feet Black (pack of 2 feet)



UCRFRM €79.95  
Revive Column Radiator Feet Raw Metal (pack of 2 feet)



### VALVE RECOMMENDATION

Our valve recommendation is a 1/2" Bentley Thermostatic Radiator Valve Lock-Shield pack in Black Nickel.

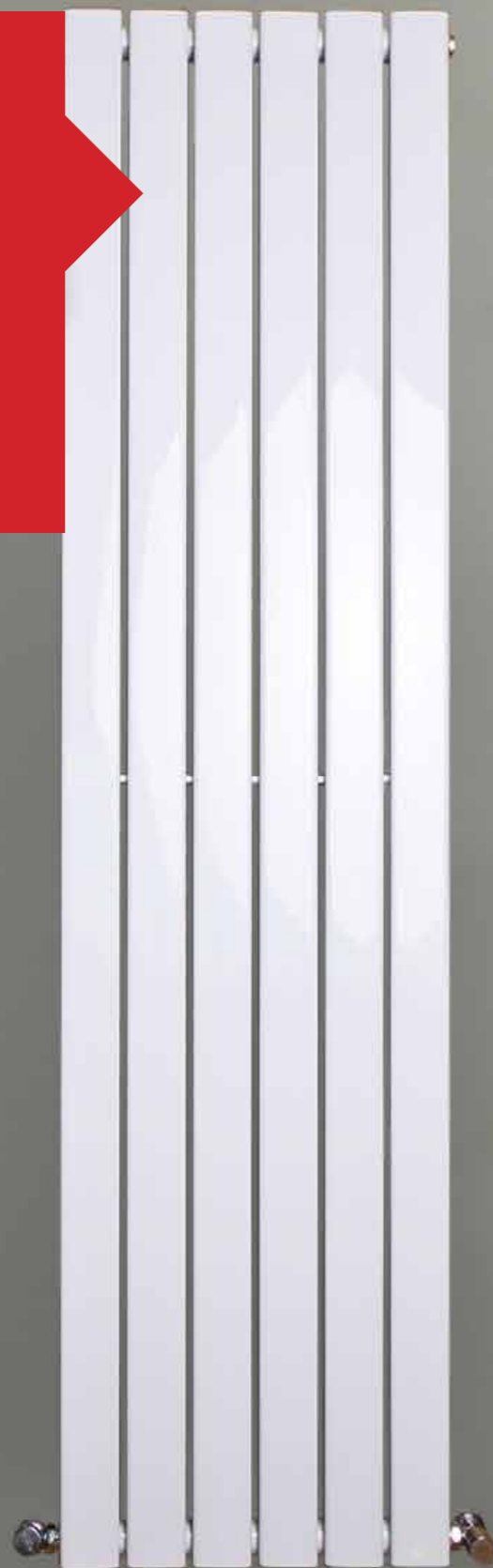
Code EV-B15BN

See our full valve section for more options - starting on page 32.



# VALERIE

Vertical Flat Panel Radiators



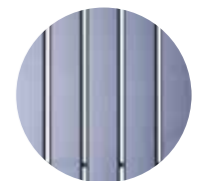
## VALERIE – FLAT PANEL SINGLE

The vertical flat panel radiators are the ultimate space saver in any home. These radiators are strikingly stylish yet highly practical, blending into both period and modern interiors.

	Colour	Height (mm)	Width (mm)	BTU	Watts	Pipe Centres	
VFP418W	White	1800	450	3253	953	540	€378.23
VFP518W	White	1800	525	3795	1112	615	€393.35
VFP618W	White	1800	600	4337	1271	690	€423.61
VFP420W	White	2000	450	3590	1052	540	€393.35
VFP520W	White	2000	525	4188	1227	615	€438.74
VFP620W	White	2000	600	4786	1403	690	€453.87



White



Anthracite

	Colour	Height (mm)	Width (mm)	BTU	Watts	Pipe Centres	
VFP418A	Anthracite	1800	450	3253	953	540	€469.00
VFP518A	Anthracite	1800	525	3795	1112	615	€499.26
VFP618A	Anthracite	1800	600	4337	1271	690	€544.64
VFP420A	Anthracite	2000	450	3590	1052	540	€499.26
VFP520A	Anthracite	2000	525	4188	1227	615	€544.64
VFP620A	Anthracite	2000	600	4786	1403	690	€574.90

## VALERIE – FLAT PANEL DOUBLE

	Colour	Height (mm)	Width (mm)	BTU	Watts	Pipe Centres	
VFP418WDP	White	1800	452	6304	1848	542	€418.20
VFP518WDP	White	1800	525	7354	2155	615	€479.70
VFP418ADP	Anthracite	1800	452	6304	1848	542	€435.42
VFP518ADP	Anthracite	1800	525	7354	2155	615	€500.61



### VALVE RECOMMENDATION

Our valve recommendation is the 1/2" Minimalist Angled Radiator Valve in Silver Nickel.

Code HP15SN

See our full valve section for more options - starting on page 32.



# HAYLEY

Horizontal Flat Panel Radiators



## HAYLEY FLAT PANEL HORIZONTAL - SINGLE

The Hayley horizontal flat panel radiators are the perfect solution for those who are looking for a modern alternative to standard panel radiators. The Hayley radiators will suit any interior and are available in both single and double panel options.



White

	Colour	Height (mm)	Width (mm)	BTU	Watts	Pipe Centres	
FP11506	White	500	600	1631	478	690	€213.13
FP11508	White	500	800	2174	637	890	€246.07
FP11510	White	500	1000	2718	797	1090	€278.68
FP11512	White	500	1200	3261	956	1290	€314.22
FP11514	White	500	1400	3805	1115	1490	€349.75
FP11516	White	500	1600	4348	1274	1690	€384.99
FP11518	White	500	1800	4892	1434	1890	€423.74
FP11520	White	500	2000	5435	1593	2090	€465.44
FP11606	White	600	600	1834	537	690	€235.00
FP11608	White	600	800	2446	717	890	€270.88
FP11610	White	600	1000	3057	896	1090	€306.50
FP11612	White	600	1200	3669	1075	1290	€346.66
FP11614	White	600	1400	4280	1254	1490	€386.76
FP11616	White	600	1600	4891	1433	1690	€426.69
FP11618	White	600	1800	5503	1613	1890	€475.37
FP11620	White	600	2000	6114	1792	2090	€515.35

### VALVE RECOMMENDATION

Our valve recommendation is the 1/2" Valogin Thermostatic Radiator Valve & Lock-Shield Pack.

Code VGTRVP

See our full valve section for more options - starting on page 32.



# HAYLEY FLAT PANEL HORIZONTAL - DOUBLE

	Colour	Height (mm)	Width (mm)	BTU	Watts	Pipe Centres	
FP22406	White	400	600	2296	673	690	€249.39
FP22408	White	400	800	3062	897	890	€289.90
FP22410	White	400	1000	3827	1122	1090	€331.71
FP22412	White	400	1200	4593	1346	1290	€379.43
FP22414	White	400	1400	5358	1570	1490	€427.02
FP22416	White	400	1600	6124	1795	1690	€475.94
FP22418	White	400	1800	6889	2019	1890	€532.73
FP22420	White	400	2000	7654	2243	2090	€581.74
FP22506	White	500	600	2895	848	690	€277.32
FP22508	White	500	800	3860	1131	890	€325.57
FP22510	White	500	1000	4825	1414	1090	€373.40
FP22512	White	500	1200	5790	1697	1290	€427.19
FP22514	White	500	1400	6755	1980	1490	€482.50
FP22516	White	500	1600	7720	2263	1690	€537.47
FP22518	White	500	1800	8685	2545	1890	€583.39
FP22520	White	500	2000	9650	2828	2090	€656.00
FP22606	White	600	600	3500	1026	690	€308.43
FP22608	White	600	800	4666	1367	890	€362.71
FP22610	White	600	1000	5833	1709	1090	€416.63
FP22612	White	600	1200	6999	2051	1290	€478.04
FP22614	White	600	1400	8166	2393	1490	€539.32
FP22616	White	600	1600	9332	2735	1690	€602.06
FP22618	White	600	1800	10499	3077	1890	€673.71
FP22620	White	600	2000	11665	3419	2090	€734.88



White

## VALVE RECOMMENDATION

Our valve recommendation is the 1/2" Valogin Thermostatic Radiator Valve & Lock-Shield Pack.

Code VGTRVP

See our full valve section for more options - starting on page 32.



# TOWEL WARMERS

Designer radiators to suit your home

## TOWEL WARMERS



**TWA** €429.00  
 Adare Traditional Towel Warmer  
 Chrome & White  
 H: 963mm W: 493mm  
 Output: 2215 BTU/hr  
 Pipe Centre: 368mm  
 Watts: 649



**TWE** €675.00  
 Avoca Traditional Towel Warmer  
 Chrome & White  
 H: 1130mm W: 553mm  
 Output: 3275 BTU/hr  
 Pipe Centre: 390mm  
 Watts: 960



**TWHTW** €609.00  
 Branwell Wall Hung Towel Warmer  
 Chrome & White  
 H: 1000mm W: 630mm  
 Output: 3780 BTU/hr  
 Pipe Centre: 525mm  
 Watts: 1108



**TWV** €491.00  
 Cashel Traditional Towel Warmer  
 Chrome & White  
 H: 963mm W: 675mm  
 Output: 3520 BTU/hr  
 Pipe Centre: 438mm  
 Watts: 1032



**TWHAN2** €405.00  
 Hannah Designer Towel Warmer  
 Chrome  
 H: 650 mm W: 1220mm  
 Output: 1857 BTU/hr  
 Pipe Centre: 1150mm  
 Watts: 544

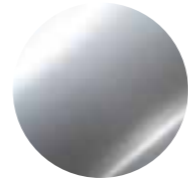


**TWSKY** €442.00  
 Skyelor Designer Towel Warmer  
 Chrome  
 H: 1100mm W: 500mm  
 Output: 1488 BTU/hr  
 Pipe Centre: 450mm  
 Watts: 436

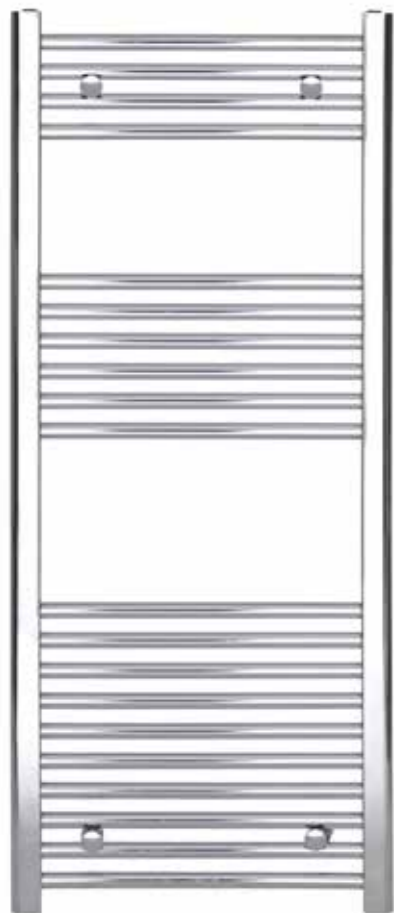


# STRAIGHT LADDER TOWEL WARMER

	Colour	Height (mm)	Width (mm)	BTU	Watts	Pipe Centres	
TW48S	Chrome	800	400	870	255	350	€109.00
TW412S	Chrome	1200	400	1262	370	350	€160.00
TW58S	Chrome	800	500	1030	302	450	€122.00
TW512S	Chrome	1200	500	1488	436	450	€178.00
TW68S	Chrome	800	600	1194	350	550	€133.00
TW612S	Chrome	1200	600	1726	506	550	€191.00
TW618S	Chrome	1800	600	2620	768	550	€309.00



Chrome



## VALVE RECOMMENDATION

Our valve recommendation is a 1/2" Minimalist Angled Radiator Valve in Chrome.

Code RVCPM

See our full valve section for more options - starting on page 32.





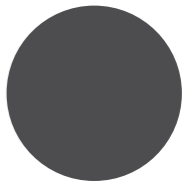
## CURVED LADDER TOWEL WARMER

	Colour	Height (mm)	Width (mm)	BTU	Watts	Pipe Centres	
TW58C	Chrome	800	500	1030	302	450	€122.00
TW512C	Chrome	1200	500	1488	436	450	€178.00
TW68C	Chrome	800	600	1194	350	550	€133.00
TW612C	Chrome	1200	600	1726	506	550	€191.00
TW618C	Chrome	1800	600	2620	768	550	€309.00

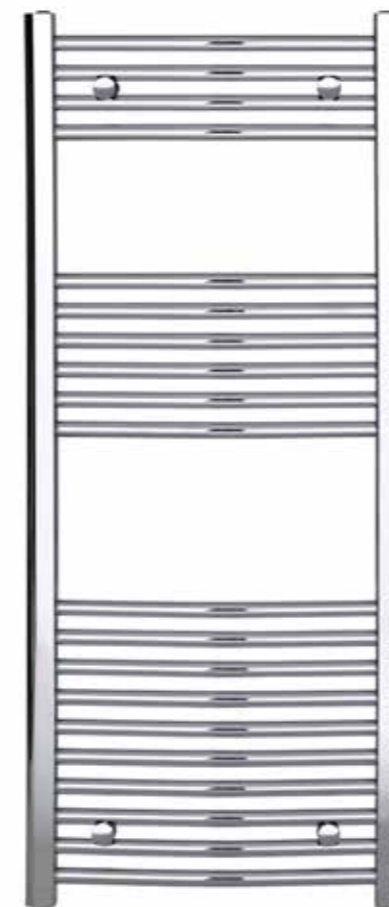
TW57C	Anthracite	700	500	1143	335	450	€183.00
TW5115C	Anthracite	1150	500	1855	544	450	€245.00



Chrome



Anthracite



### VALVE RECOMMENDATION

Our valve recommendation is a 1/2" Minimalist Angled Radiator Valve in Chrome.

Code RVCPM

See our full valve section for more options - starting on page 32.



# MARIAH

Dual Column Mirror Radiator



## MARIAH – DUAL COLUMN MIRROR

The Mariah Dual Column Mirror radiator ultimately combines functionality with style, blending seamlessly into any modern or period interior. This strikingly stylish radiator is sure to be the focal point of your room!

	Colour	Height (mm)	Width (mm)	BTU	Watts	Pipe Centres	
DCMR418W	White	1800	450	3252	953	540	€389.00

### VALVE RECOMMENDATION

Our valve recommendation is a 1/2" Victorian Angled Radiator Valve in Chrome.

Code RVCPV

See our full valve section for more options - starting on page 32.



# RUA

Designer Flat Panel



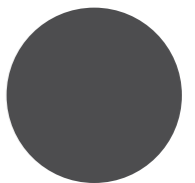
## RUA – DESIGNER FLAT PANEL

The stunning designer flat panel radiators are pushing boundaries when it comes to ultra-modern design. The RUA radiator is the perfect heating solution in any room within the house including the bathroom! Pair this radiator with the RUA towel rail to ultimately transform your bathroom interior!

	Colour	Height (mm)	Width (mm)	BTU	Watts	Pipe Centres	
DFP418W	White	1800	400	1979	580	490	€356.70
DFP518W	White	1800	500	2474	725	590	€430.50
DFP618W	White	1800	600	2969	870	690	€504.30
DFP418A	Anthracite	1800	400	1979	580	490	€369.00
DFP518A	Anthracite	1800	500	2474	725	590	€442.80
DFP618A	Anthracite	1800	600	2969	870	690	€516.60



White



Anthracite

## RUA TOWEL RAIL

	Description	Colour	
HR500	Rua 500mm Towel Rail	Chrome	€66.42
HR600	Rua 600mm Towel Rail	Chrome	€68.88
HR700	Rua 700mm Towel Rail	Chrome	€71.34



### VALVE RECOMMENDATION

Our valve recommendation is the 1/2" Minimalist Corner Radiator Valves in Chrome.

Code C15C

See our full valve section for more options - starting on page 32.



# SARA

Vertical Panel Radiators



## SARA VERTICAL 3 PANEL ALUMINIUM RADIATOR

The Sara vertical aluminium flat panel delivers functionality, clean lines and a smooth finish making it a stylish radiator that doubles as a towel warmer when paired with the Sara Towel Rail.

	Colour	Height (mm)	Width (mm)	BTU	Watts	Pipe Centres	
VFP218W	White	1800	280	2475	725	370	€289.00
VFP218A	Anthracite	1800	280	2475	725	370	€299.00

## SARA VERTICAL 4 PANEL ALUMINIUM RADIATOR

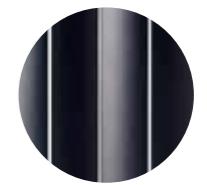
	Colour	Height (mm)	Width (mm)	BTU	Watts	Pipe Centres	
VFP318W	White	1800	375	3300	967	465	€349.00
VFP318A	Anthracite	1800	375	3300	967	465	€359.00

## SARA TOWEL RAIL

	Description	Colour	
HB415	Sara 4 Panel Radiator Towel Rail	Chrome	€70.00
HB320	Sara 3 Panel Radiator Towel Rail	Chrome	€50.00



White



Anthracite



### VALVE RECOMMENDATION

Our valve recommendation is the 1/2" Minimalist Corner Radiator Valves in Chrome.

Code C15C

See our full valve section for more options - starting on page 32.



# IMAS

Compact Radiator Range



## IMAS RADIATORS

Our compact radiators are designed to give maximum thermal heat outputs with a wide convector surface area.

### 400MM HIGH IMAS RADIATORS – SINGLE

	Colour	Height (mm)	Width (mm)	BTU	Watts	Pipe Centres	
11406	White	400	600	1335	391	690	€50.74
11408	White	400	800	1781	522	890	€59.69
11409	White	400	900	2004	587	990	€66.05
11410	White	400	1000	2227	653	1090	€70.48
11411	White	400	1100	2450	718	1190	€76.70
11412	White	400	1200	2673	783	1290	€82.89
11414	White	400	1400	3118	914	1490	€103.64
11416	White	400	1600	3561	1044	1690	€114.38
11418	White	400	1800	4007	1174	1890	€128.79
11420	White	400	2000	4454	1305	2090	€153.43

### 500MM HIGH IMAS RADIATORS – SINGLE

	Colour	Height (mm)	Width (mm)	BTU	Watts	Pipe Centres	
11504	White	500	400	1140	334	490	€42.78
11505	White	500	500	1425	418	590	€50.87
11506	White	500	600	1710	501	690	€57.76
11507	White	500	700	1996	585	790	€62.88
11508	White	500	800	2281	668	890	€67.96
11509	White	500	900	2566	752	990	€73.05
11510	White	500	1000	2851	836	1090	€78.17
11511	White	500	1100	3136	919	1190	€86.46
11512	White	500	1200	3421	1003	1290	€95.12
11513	White	500	1300	3706	1086	1390	€104.45
11514	White	500	1400	3991	1170	1490	€113.27
11515	White	500	1500	4276	1253	1590	€132.74
11516	White	500	1600	4561	1337	1690	€124.98
11518	White	500	1800	5131	1504	1890	€140.93
11520	White	500	2000	5702	1671	2090	€156.42

## 600MM HIGH IMAS RADIATORS - SINGLE

	Colour	Height (mm)	Width (mm)	BTU	Watts	Pipe Centres	
11605	White	600	500	1645	482	590	€65.44
11606	White	600	600	1974	579	690	€72.73
11607	White	600	700	2303	675	790	€78.12
11608	White	600	800	2633	772	890	€85.58
11609	White	600	900	2962	868	990	€90.79
11610	White	600	1000	3291	964	1090	€101.55
11611	White	600	1100	3620	1061	1190	€103.44
11612	White	600	1200	3949	1157	1290	€113.73
11614	White	600	1400	4607	1350	1490	€146.84
11616	White	600	1600	5265	1543	1690	€163.44
11618	White	600	1800	5923	1736	1890	€177.74
11620	White	600	2000	6581	1929	2090	€201.58

## 400MM HIGH IMAS RADIATORS - DOUBLE

	Colour	Height (mm)	Width (mm)	BTU	Watts	Pipe Centres	
22406	White	400	600	2547	746	690	€101.27
22408	White	400	800	3396	995	890	€119.15
22409	White	400	900	3821	1120	990	€131.43
22410	White	400	1000	4245	1244	1090	€142.18
22411	White	400	1100	4670	1369	1190	€152.82
22412	White	400	1200	5095	1493	1290	€160.28
22414	White	400	1400	5944	1742	1490	€202.20
22416	White	400	1600	6793	1991	1690	€221.25
22418	White	400	1800	7642	2240	1890	€268.52
22420	White	400	2000	8491	2488	2090	€279.22

## 300MM HIGH IMAS RADIATORS - DOUBLE

	Colour	Height (mm)	Width (mm)	BTU	Watts	Pipe Centres	
22306	White	300	600	1995	585	690	€99.16
22308	White	300	800	2660	780	890	€119.96
22310	White	300	1000	3325	974	1090	€137.19
22312	White	300	1200	3990	1169	1290	€164.03
22314	White	300	1400	4655	1364	1490	€190.90
22316	White	300	1600	5320	1559	1690	€220.16
22318	White	300	1800	5985	1754	1890	€249.51
22320	White	300	2000	6650	1949	2090	€278.88

## 500MM HIGH IMAS RADIATORS - DOUBLE

	Colour	Height (mm)	Width (mm)	BTU	Watts	Pipe Centres	
22504	White	500	400	2049	601	490	€80.55
22505	White	500	500	2561	751	590	€99.77
22506	White	500	600	3073	901	690	€117.17
22507	White	500	700	3585	1051	790	€132.32
22508	White	500	800	4097	1201	890	€143.07
22509	White	500	900	4610	1351	990	€153.79
22510	White	500	1000	5122	1501	1090	€164.51
22511	White	500	1100	5634	1651	1190	€186.57
22512	White	500	1200	6146	1801	1290	€197.62
22513	White	500	1300	6658	1951	1390	€221.12
22514	White	500	1400	7171	2102	1490	€238.29
22515	White	500	1500	7683	2252	1590	€250.50
22516	White	500	1600	8195	2402	1690	€262.13
22518	White	500	1800	9219	2702	1890	€297.76
22520	White	500	2000	10244	3002	2090	€339.68

## 600MM HIGH IMAS RADIATORS - DOUBLE

	Colour	Height (mm)	Width (mm)	BTU	Watts	Pipe Centres	
22605	White	600	500	3045	892	590	€120.86
22606	White	600	600	3654	1071	690	€136.94
22607	White	600	700	4263	1249	790	€144.27
22608	White	600	800	4872	1428	890	€161.12
22609	White	600	900	5481	1606	990	€167.65
22610	White	600	1000	6090	1785	1090	€185.29
22611	White	600	1100	6699	1963	1190	€195.78
22612	White	600	1200	7308	2142	1290	€219.87
22614	White	600	1400	8526	2499	1490	€293.67
22616	White	600	1600	9744	2856	1690	€311.23
22618	White	600	1800	10962	3213	1890	€349.34
22620	White	600	2000	12181	3570	2090	€388.16

### VALVE RECOMMENDATION

Our valve recommendation for the Imas Range is the 1/2" Pegler Terrier Thermostatic Radiator Valve & Lock-Shield Pack.

Code PTRVPACK

See our full valve section for more options - starting on page 32.





# VALVES

A carefully selected range of valves to suit your style



**VGTRVP** €15.99  
1/2" Valogin Thermostatic Radiator Valve & Lock-Shield Pack



**BTRVP** €19.93  
1/2" Bi-World Thermostatic Radiator Valve & Lock-Shield Pack



**BTRVPGB** €34.44  
1/2" Bi-World GB Female Thermostatic Radiator Valve & Lock-Shield Pack



**PTRVPACK** €36.06  
1/2" Pegler Terrier Thermostatic Radiator Valve & Lock-Shield Pack



**RVTS** €50.60  
1/2" Pegler Terrier Straight Thermostatic Radiator Valve & Lock-Shield Pack



**PTRVPCP** €49.29  
1/2" Pegler Angled Thermostatic Radiator Valve & Lock-Shield Pack Chrome



**RVTTSCP** €50.16  
1/2" Pegler Straight Thermostatic Radiator Valve & Lock Shield Pack Chrome



**RVCP** €17.54  
1/2" Contract Angled Chrome Radiator Valves (Pair)



**RVSCP** €18.99  
1/2" Contract Straight Chrome Radiator Valves (Pair)



**RVCPM** €37.20  
1/2" Minimalist Angled Radiator Valves Chrome (Pair)



**RVSCPM** €37.20  
1/2" Minimalist Straight Chrome Radiator Valves (Pair)



**BMRVA** €39.36  
1/2" Modern Angled Radiator Valves Chrome (Pair)



**RVCPV** €47.82  
1/2" Victorian Angled Radiator Valves Chrome (Pair)



**RVSCPV** €47.82  
1/2" Victorian Straight Radiator Valves Chrome (Pair)



**RVCPH** €37.20  
1/2" Helix Angled Chrome Radiator Valves (Pair)



**RVSCPH** €37.20  
1/2" Helix Straight Chrome Radiator Valves (Pair)



**HP15AB** €54.12  
1/2" Minimalist Angled Radiator Valves Antique Brass



**HP15AC** €54.12  
1/2" Minimalist Angled Radiator Valves Antique Copper



**HP15BN** €54.12  
1/2" Minimalist Angled Radiator Valves Black Nickel



**HP15SN** €54.12  
1/2" Minimalist Angled Radiator Valves Silver Nickel



**EV-B15C** €152.40  
1/2" Bentley Thermostatic Radiator Valve & Lock-Shield Pack Chrome



**EV-B15SN** €152.40  
1/2" Bentley Thermostatic Radiator Valve Lock-Shield Pack Silver Nickel



**EV-BG15AB** €178.23  
1/2" Bentley Gothic Thermostatic Radiator Valve & Lock-Shield Pack Antique Brass



**EV-BG15AC** €178.23  
1/2" Bentley Gothic Thermostatic Radiator Valve & Lock-Shield Pack Antique Copper



**HP15SAB** €54.12  
1/2" Minimalist Straight Radiator Valves Antique Brass



**HP15SAC** €54.12  
1/2" Minimalist Straight Radiator Valves Antique Copper



**HP15SBN** €54.12  
1/2" Minimalist Straight Radiator Valves Black Nickel



**HP15SSN** €54.12  
1/2" Minimalist Straight Radiator Valves Silver Nickel



**EV-BG15SN** €178.23  
1/2" Bentley Gothic Thermostatic Radiator Valve & Lock-Shield Pack Silver Nickel



**BTRVPAS** €27.06  
Bi-World Straight Thermostatic Radiator Valve & Lock-Shield Pack



**BTRVPACS** €34.44  
Bi-World Straight Thermostatic Radiator Valve & Lock-Shield Pack Chrome



**BTRVPAC** €34.44  
Bi-World Angled Thermostatic Radiator Valve & Lock-Shield Pack Chrome



**C15AB** €54.12  
1/2" Minimalist Corner Radiator Valves Antique Brass



**C15AC** €54.12  
1/2" Minimalist Corner Radiator Valves Antique Copper



**C15BN** €54.12  
1/2" Minimalist Corner Radiator Valves Black Nickel



**C15SN** €54.12  
1/2" Minimalist Corner Radiator Valves Silver Nickel



**TC16AB** €44.28  
16mm x 300mm Tails & Decorative Covers Antique Brass



**TC16AC** €44.28  
16mm x 300mm Tails & Decorative Covers Antique Copper



**TC16BN** €44.28  
16mm x 300mm Tails & Decorative Covers Black Nickel



**TC16SN** €44.28  
16mm x 300mm Tails & Decorative Covers Silver Nickel



**C15C** €39.36  
1/2" Minimalist Corner Radiator Valves Chrome



**EV-B15AB** €152.40  
1/2" Bentley Thermostatic Radiator Valve & Lock-Shield Pack Antique Brass



**EV-B15AC** €152.40  
1/2" Bentley Thermostatic Radiator Valve & Lock-Shield Pack Antique Copper



**EV-B15BN** €152.40  
1/2" Bentley Thermostatic Radiator Valve & Lock-Shield Pack Black Nickel

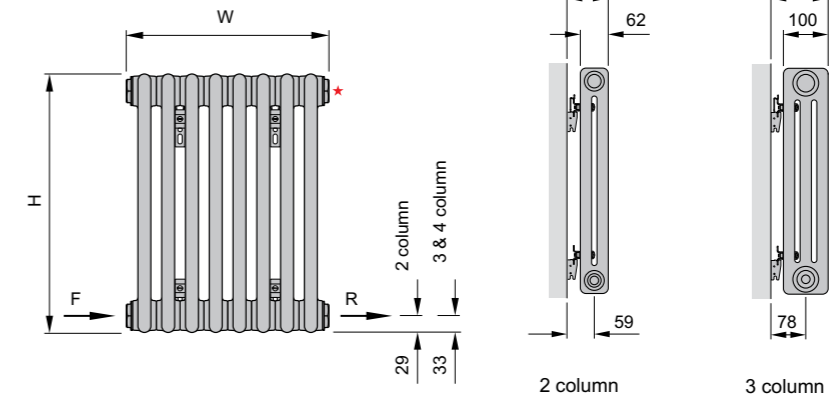


**TC16C** €44.28  
16mm x 300mm Tails & Decorative Covers Chrome

# TECHNICAL

## Specifications

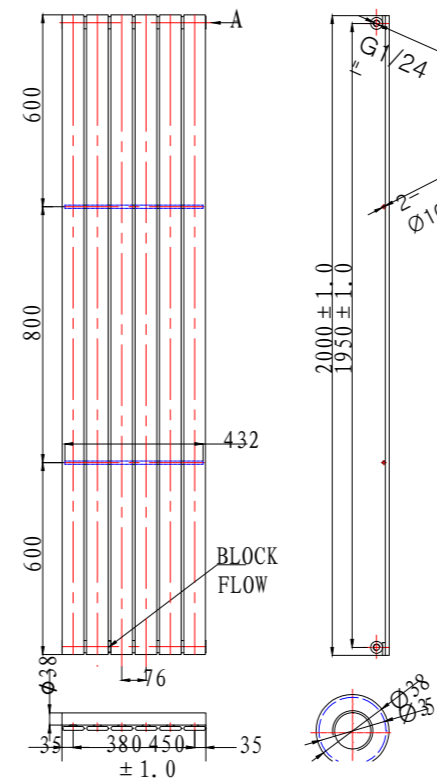
### REVIVE



	Height (mm)	Width (mm)	BTU	Watts	Pipe Centres
U2150-8	1500	398	2839	832	488
U2180-8	1800	398	3385	992	488
U2180-10	1800	490	4231	1240	580
U2200-8	2000	398	3767	1104	488
U2200-10	2000	490	4709	1380	580
U2180-10-RM	1800	490	4231	1240	580
U2200-10-RM	2000	490	4709	1380	580
U2180-10-BK	1800	490	4231	1240	580
U2200-10-BK	2000	490	4709	1380	580
U3200-10	2000	490	6244	1830	580
U3200-10-RM	2000	490	6244	1830	580
U3180-10	1800	490	5664	1660	580
U3180-10-RM	1800	490	5664	1660	580
U3060-13	600	628	2701	792	718

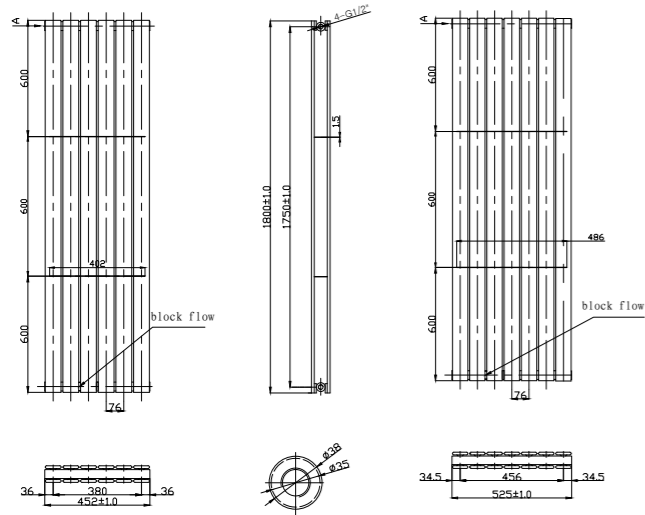
	Height (mm)	Width (mm)	BTU	Watts	Pipe Centres
U3060-19	600	904	3948	1157	994
U3060-25	600	1180	5195	1523	1270
U3060-32	600	1502	6649	1949	1592
U3060-36	600	1686	7480	2192	1776
U3060-13-RM	600	628	2701	792	718
U3060-19-RM	600	904	3948	1157	994
U3060-25-RM	600	1180	5195	1523	1270
U3060-32-RM	600	1502	6649	1949	1592
U3060-36-RM	600	1686	7480	2192	1776
U3060-13-BK	600	628	2701	792	718
U3060-19-BK	600	904	3948	1157	994
U3060-25-BK	600	1180	5195	1523	1270
U3060-32-BK	600	1502	6649	1949	1592
U3060-36-BK	600	1686	7480	2192	1776

### VALERIE - SINGLE



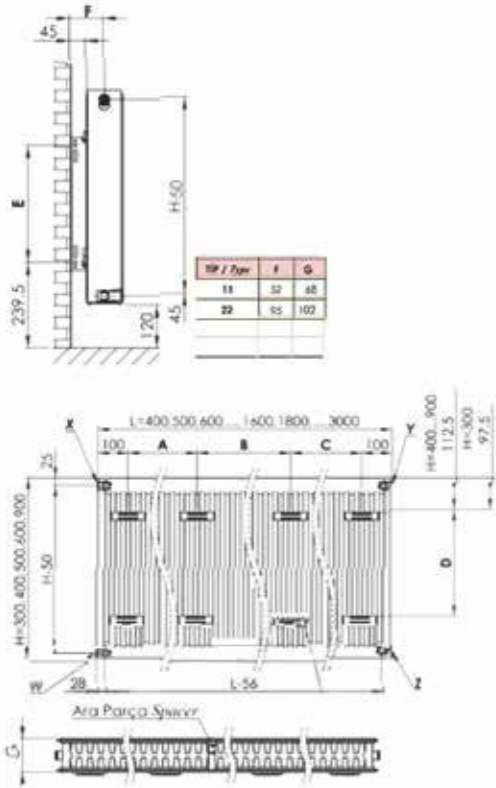
	Height (mm)	Width (mm)	BTU	Watts	Pipe Centres
VFP418W	1800	450	3253	953	540
VFP518W	1800	525	3795	1112	615
VFP618W	1800	600	4337	1271	690
VFP420W	2000	450	3590	1052	540
VFP520W	2000	525	4188	1227	615
VFP620W	2000	600	4786	1403	690
VFP418A	1800	450	3253	953	540
VFP518A	1800	525	3795	1112	615
VFP618A	1800	600	4337	1271	690
VFP420A	2000	450	3590	1052	540
VFP520A	2000	525	4188	1227	615
VFP620A	2000	600	4786	1403	690

## VALERIE - DOUBLE



	Height (mm)	Width (mm)	BTU	Watts	Pipe Centres
VFP418WDP	1800	452	6304	1848	542
VFP518WDP	1800	525	7354	2155	615
VFP418ADP	1800	452	6304	1848	542
VFP518ADP	1800	535	7354	2155	615

## HAYLEY

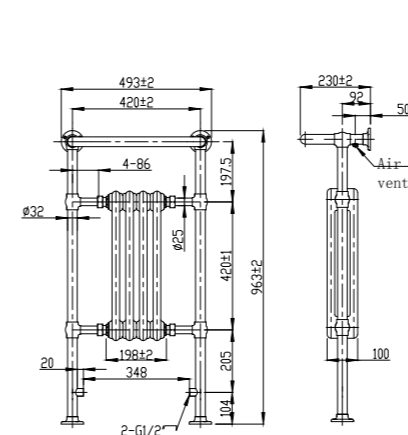


	Height (mm)	Width (mm)	BTU	Watts	Pipe Centres
FP11608	600	800	2446	717	890
FP11610	600	1000	3057	896	1090
FP11612	600	1200	3669	1075	1290
FP11614	600	1400	4280	1254	1490
FP11616	600	1600	4891	1433	1690
FP11618	600	1800	5503	1613	1890
FP11620	600	2000	6114	1792	2090
FP22406	400	600	2296	673	690
FP22408	400	800	3062	897	890
FP22410	400	1000	3827	1122	1090
FP22412	400	1200	4593	1346	1290
FP22414	400	1400	5358	1570	1490
FP22416	400	1600	6124	1795	1690
FP22418	400	1800	6889	2019	1890
FP22420	400	2000	7654	2243	2090
FP22506	500	600	2895	848	690
FP22508	500	800	3860	1131	890
FP22510	500	1000	4825	1414	1090
FP22512	500	1200	5790	1697	1290
FP22514	500	1400	6755	1980	1490
FP22516	500	1600	7720	2263	1690
FP22518	500	1800	8685	2545	1890
FP22520	500	2000	9650	2828	2090
FP22606	600	600	3500	1026	690
FP22608	600	800	4666	1367	890
FP22610	600	1000	5833	1709	1090
FP22612	600	1200	6999	2051	1290
FP22614	600	1400	8166	2393	1490
FP22616	600	1600	9332	2735	1690
FP22618	600	1800	10499	3077	1890
FP22620	600	2000	11665	3419	2090

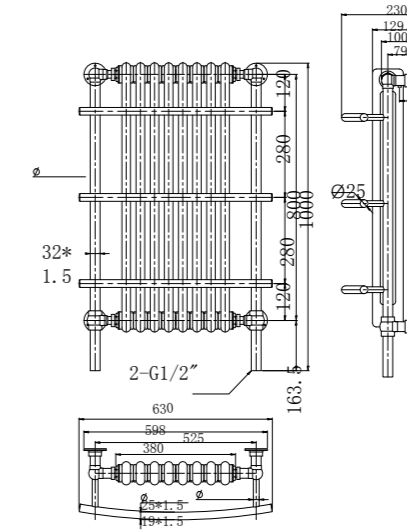
	Height (mm)	Width (mm)	BTU	Watts	Pipe Centres
FP11506	500	600	1631	478	690
FP11508	500	800	2174	637	890
FP11510	500	1000	2718	797	1090
FP11512	500	1200	3261	956	1290
FP11514	500	1400	3805	1115	1490
FP11516	500	1600	4348	1274	1690
FP11518	500	1800	4892	1434	1890
FP11520	500	2000	5435	1593	2090
FP11606	600	600	1834	537	690

## TOWEL WARMERS

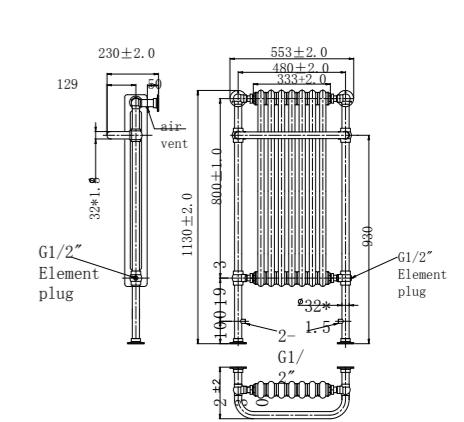
### TWA



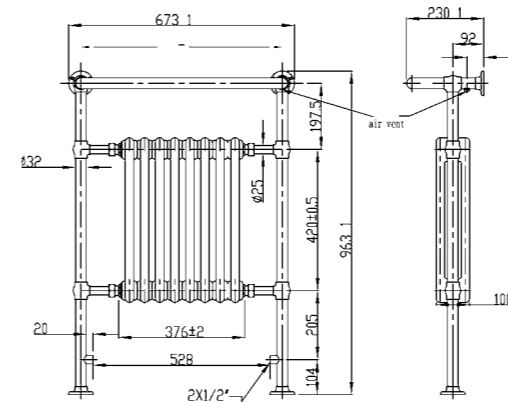
### TWE



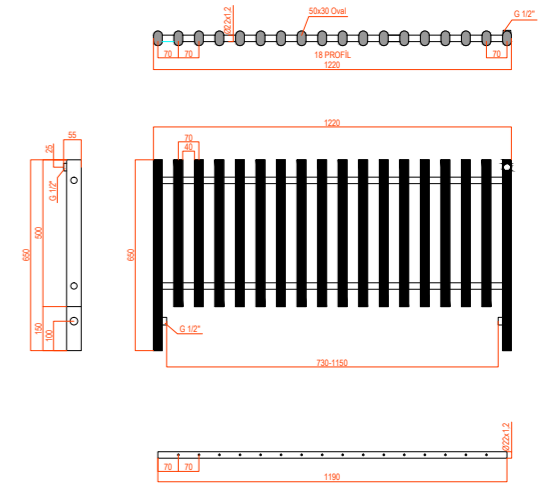
### TWHTW



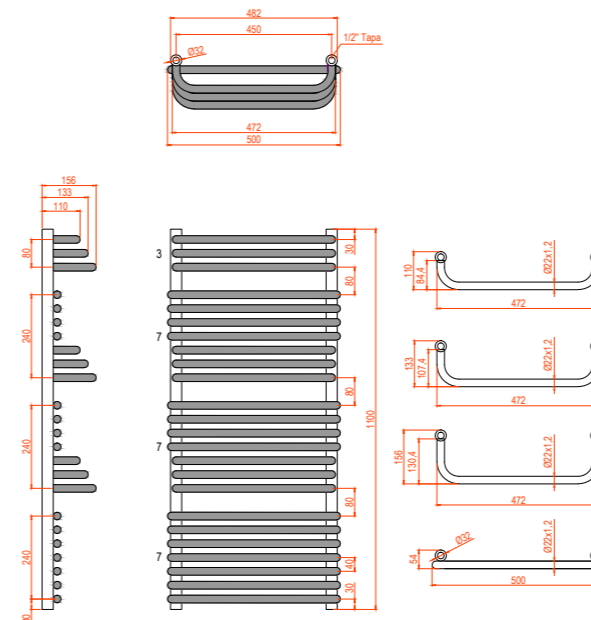
### TWV



### TWHAN2



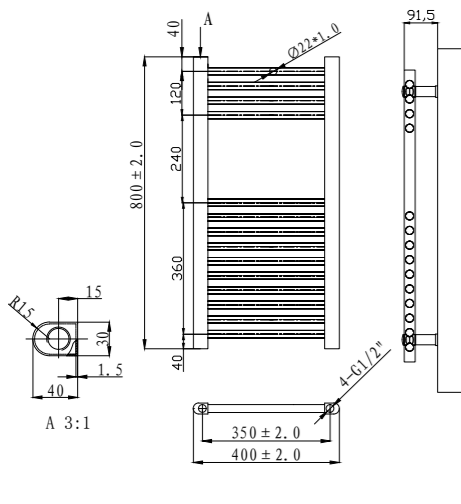
### TWSKY



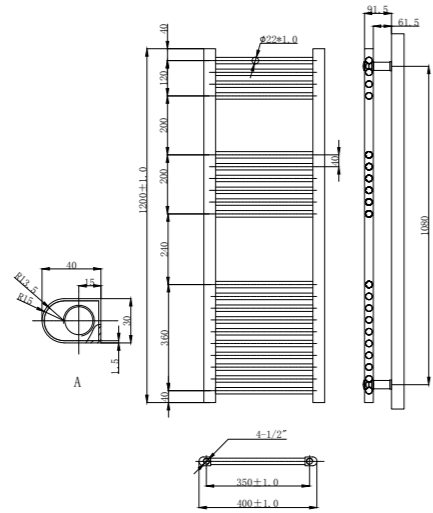
	Height (mm)	Width (mm)	BTU	Watts	Pipe Centres
TWA	963	493	2215	649	458
TWE	1130	553	3275	960	480
TWHTW	1000	630	3780	1108	525
TWV	963	675	3520	1032	953
TWHAN2	1200	650	1857	544	1150
TWSKY	1100	500	1488	436	450

# TOWEL WARMERS

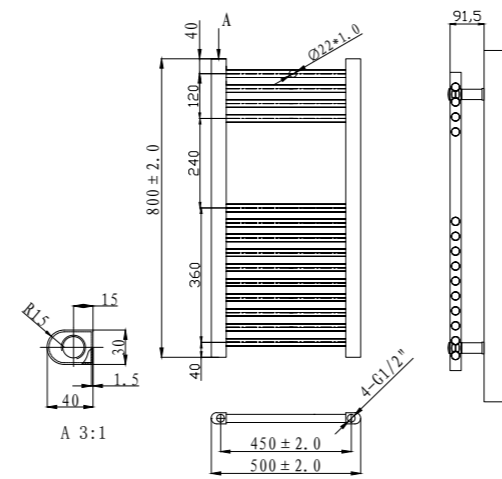
TW48S



TW412S

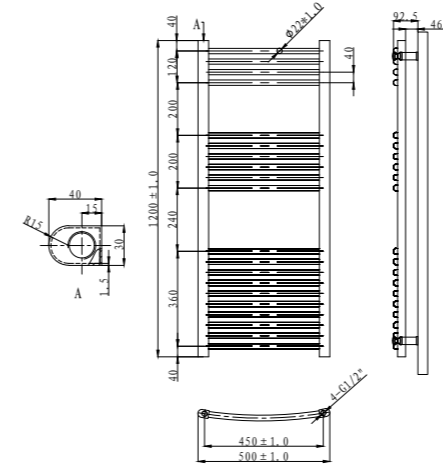


TW58S

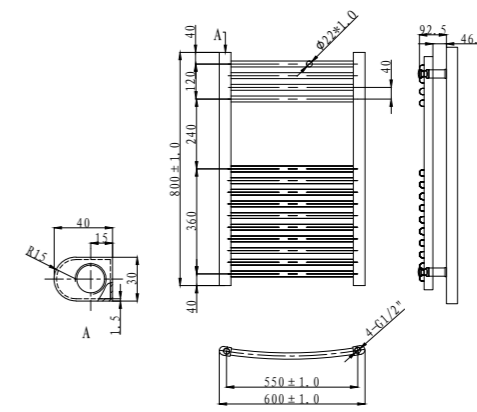


# TOWEL WARMERS

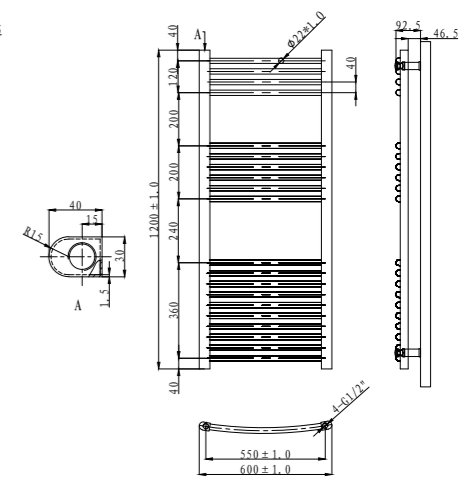
TW512C



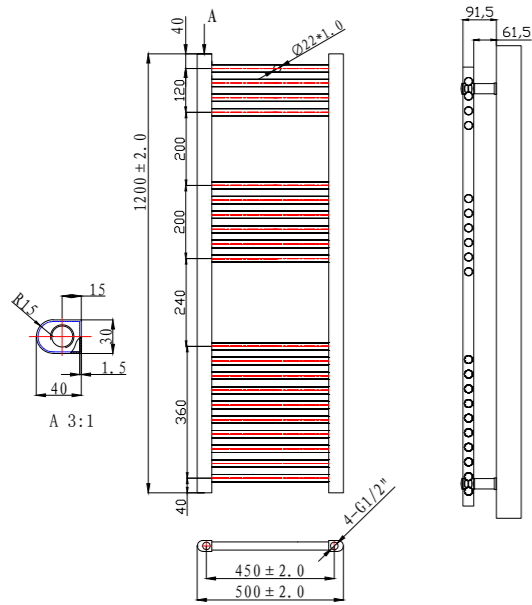
TW68C



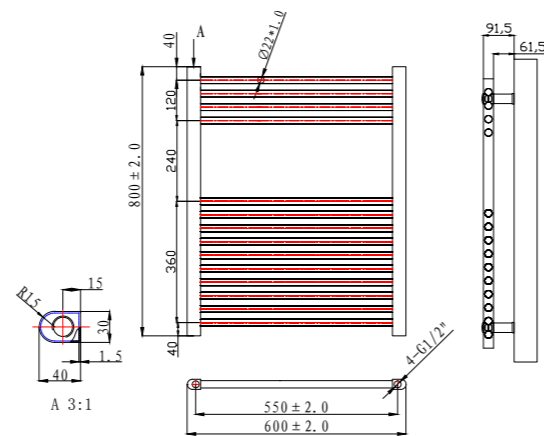
TW612C



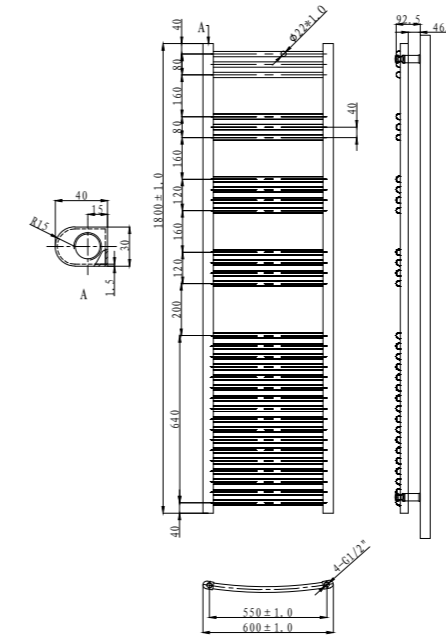
TW512S



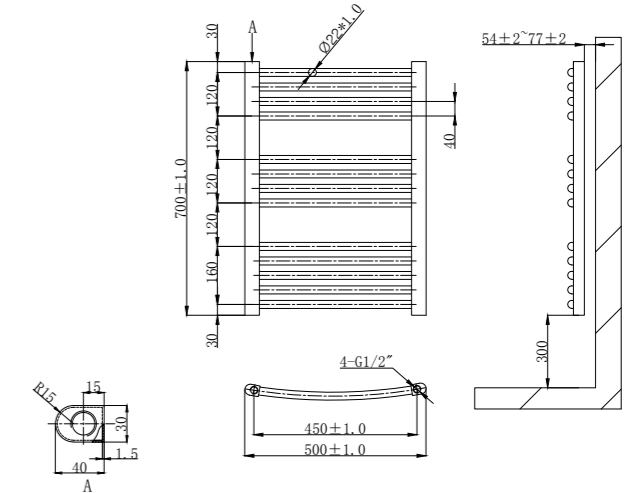
TW68S



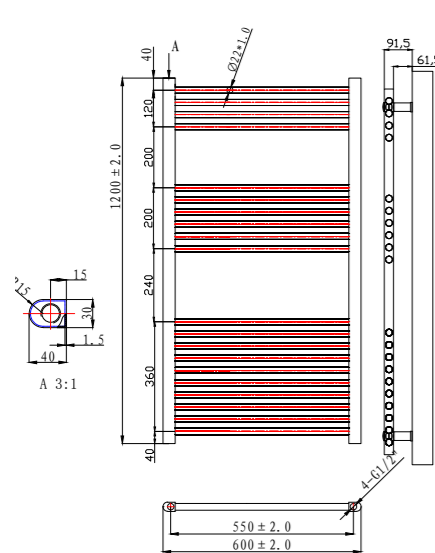
TW618C



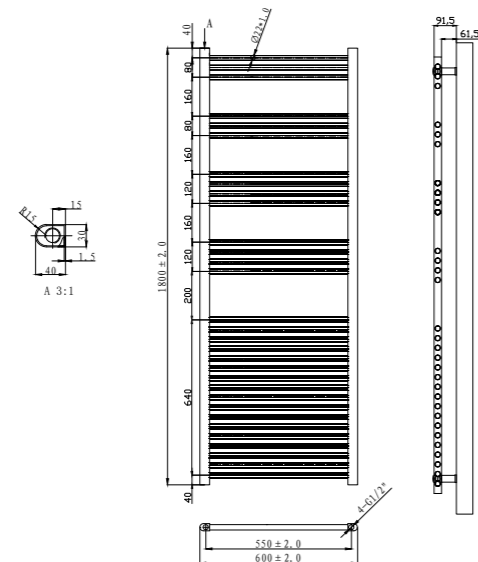
TW57C



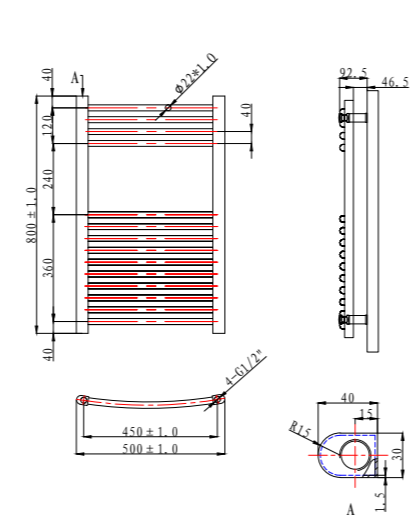
TW612S



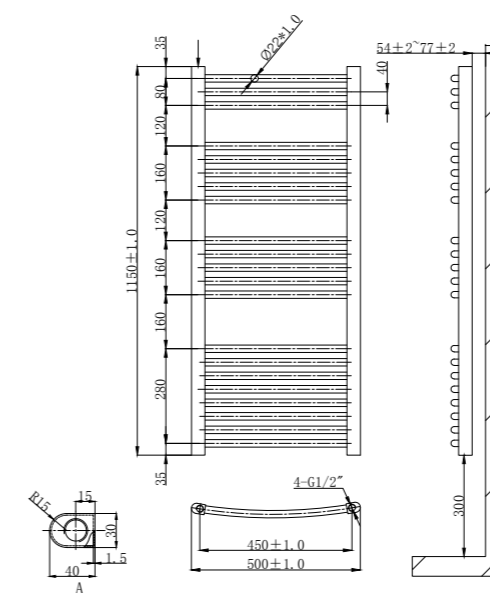
TW618S



TW58C

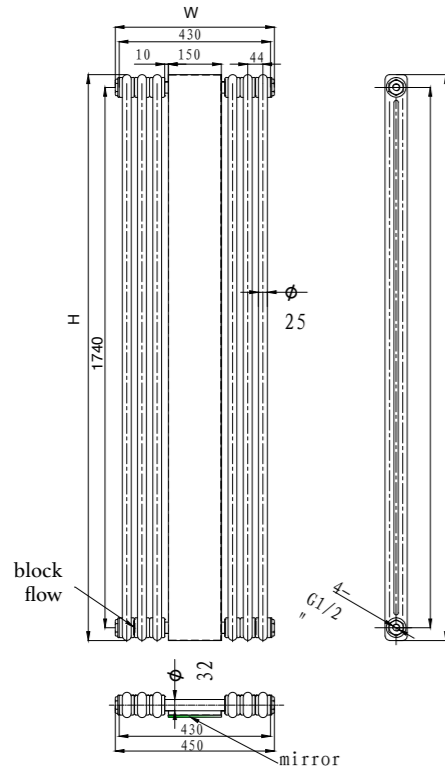


TW5155C

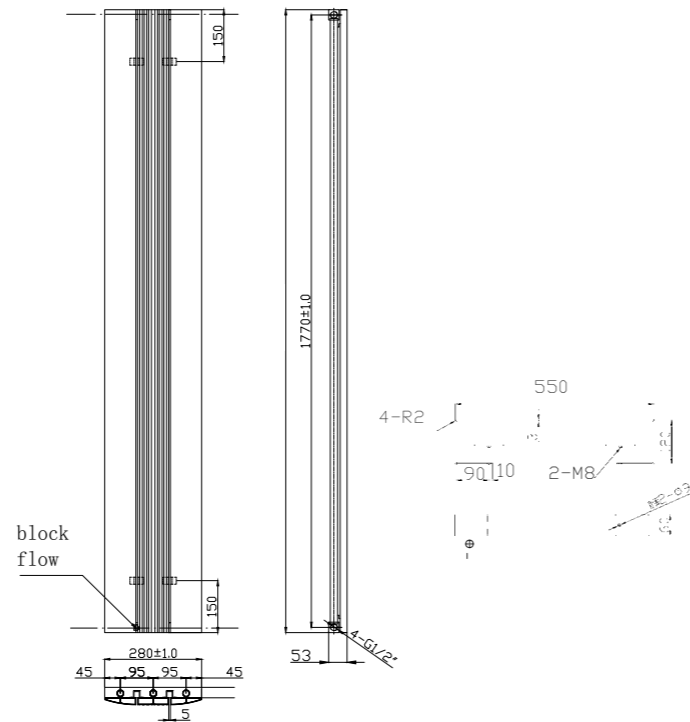


	Height (mm)	Width (mm)	BTU	Watts	Pipe Centres
TW48S	800	400	870	255	350
TW412S	1200	400	1262	370	350
TW58S	800	500	1030	302	450
TW512S	1200	500	1488	436	450
TW68S	800	600	1194	350	550
TW612S	1200	600	1726	506	550
TW618S	1800	600	2620	768	550
TW58C	800	500	1030	302	450
TW512C	1200	500	1488	436	450
TW68C	800	500	1194	350	550
TW612C	1200	600	1726	506	550
TW618C	1800	600	2620	768	550
TW57C	700	500	1143	335	450
TW5115C	1150	500	1855	544	450

# MARIAH



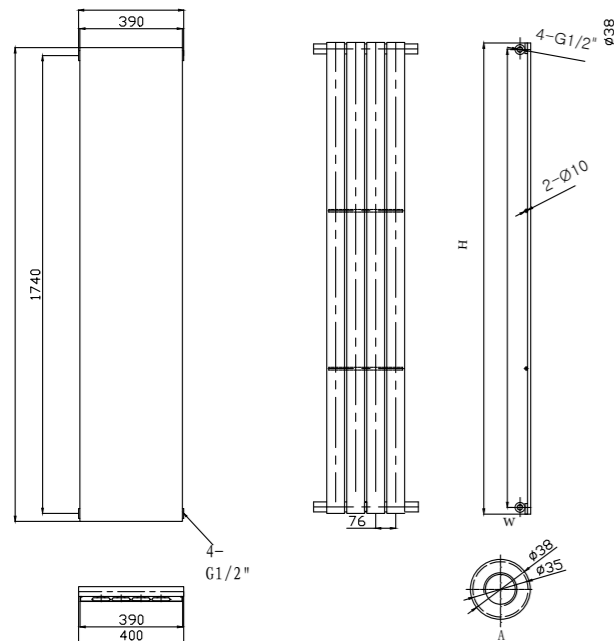
# SARA



	Height (mm)	Width (mm)	BTU	Watts	Pipe Centres
DCMR418W	1800	450	3252	953	540

	Height (mm)	Width (mm)	BTU	Watts	Pipe Centres
VFP218W	1800	280	2475	725	370
VFP218A	1800	280	2475	725	370
VFP318W	1800	375	3300	967	465
VFP318A	1800	375	3300	967	465

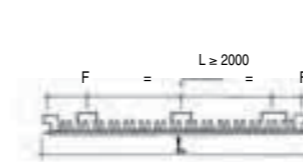
# RUA



	Тип / Type 21-22-33			Тип / Type 11			H	D	E
	A	B	C	A	B	C			
400...1600	-	-	-	-	-	-	300	83	62
1800	800	0	800	766.67	0	800	400	150	129
2000	900	0	900	866.67	0	900	500	250	229
2200	1000	0	1000	966.67	0	1000	600	350	329
2400	1100	0	1100	1066.67	0	1100	700	450	429
2600	800	800	800	800	766.67	800	390	83	62
2800	866	866	866	866.67	833.33	866.67	400	150	129
3000	933	933	933	933.33	900	933.33	500	250	229

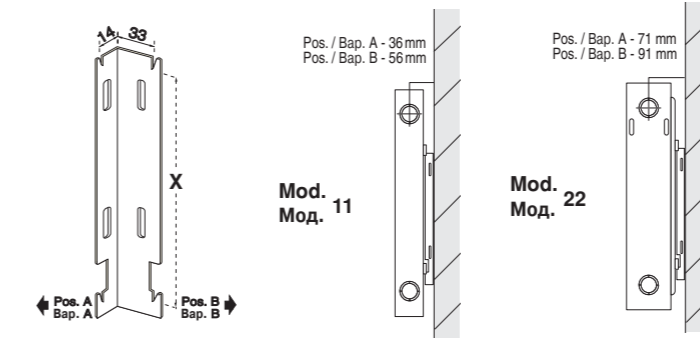
	Height (mm)	Width (mm)	BTU	Watts	Pipe Centres
DFP418W	1800	400	1979	580	490
DFP518W	1800	500	2474	725	590
DFP618W	1800	600	2969	870	690
DFP418A	1800	400	1979	580	490
DFP518A	1800	500	2474	725	590
DFP618A	1800	600	2969	870	690

# IMAS

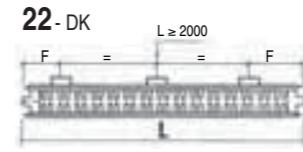


	H	I	A	B	C	D	E	F
300	250	85	110	110	55	80	135	
400	350	85	110	150	115	140	135	
500	450	85	110	250	115	140	135	
600	550	85	110	350	115	140	135	
800	750	85	110	550	115	140	135	
900	850	85	110	650	115	140	135	

Standard brackets included in the packing



# ANCHORING SYSTEMS



	H	I	A	B	C	D	E	F
300	250	85	110	110	55	80	100	
400	350	85	110	150	115	140	100	
500	450	85	110	250	115	140	100	
600	550	85	110	350	115	140	100	
800	750	85	110	550	115	140	100	
900	850	85	110	650	115	140	100	

L	n° handles n° держателя Št. nosilcev
400 ÷ 1800	4
2000 ÷ 3000	6

# Watt Heating output EN 442 Δt = 50 K

Inlet temp. 75 °C  
Outlet temp. 65 °C  
Room temp. 20 °C

MOD. Мод.	H	L															
		400	500	600	700	800	900	1000	1200	1400	1600	1800	2000				
11 ASSOT23-03	400	281	352	422	492	562	633	703	844	984	1125	1265	1406				
	500	334	418	502	585	669	752	836	1003	1170	1338	1505	1672				
	600	386	483	580	676	773	869	966	1159	1352	1546	1739	1932				
22 ASSOT23-05	300	390	488	585	683	780	878	975	1170	1365	1560	1755	1950				
	400	498	623	747	872	996	1121	1245	1494	1743	1992	2241	2490				
	500	601	751	901	1051	1202	1352	1502	1802	2103	2403	2704	3004				
	600	722	903	1084	1264	1445	1625	1806	2167	2528	2889	3251	3612				

H. 900 available end of year 2010

# 11

**Watt Heating output**  
 Inlet temp. **90 °C**  
 Outlet temp. **70 °C**

Room Temp. Темп. среды Temp. zraka (°C)	Height Высота Višina (mm)	Length - Длина - Dolžina (mm)											
		400	500	600	700	800	900	1000	1200	1400	1600	1800	2000
		<b>15 °C</b> (Δt = 65)	400	394	492	591	689	788	886	985	1182	1379	1576
<b>18 °C</b> (Δt = 62)	400	371	463	556	649	741	834	927	1112	1297	1482	1668	1853
	500	441	552	662	772	883	993	1103	1324	1545	1765	1986	2207
	600	512	640	767	895	1023	1151	1279	1535	1791	2047	2302	2558
<b>20 °C</b> (Δt = 60)	400	355	444	533	622	711	799	888	1066	1243	1421	1599	1776
	500	423	529	635	740	846	952	1058	1269	1481	1692	1904	2115
	600	490	613	735	858	980	1103	1225	1470	1715	1961	2206	2451
<b>22 °C</b> (Δt = 58)	400	340	425	510	595	680	765	850	1020	1190	1360	1530	1700
	500	405	506	607	709	810	911	1012	1215	1417	1620	1822	2025
	600	469	586	703	820	938	1055	1172	1407	1641	1875	2110	2344
<b>24 °C</b> (Δt = 56)	400	325	406	488	569	650	731	813	975	1138	1300	1463	1625
	500	387	484	581	677	774	871	968	1161	1355	1548	1742	1935
	600	448	560	672	784	896	1008	1119	1343	1567	1791	2015	2239

# 11

**Watt Heating output**  
 Inlet temp. **70 °C**  
 Outlet temp. **55 °C**

Room Temp. Темп. среды Temp. zraka (°C)	Height Высота Višina (mm)	Length (mm)											
		400	500	600	700	800	900	1000	1200	1400	1600	1800	2000
		<b>15 °C</b> (Δt = 47,5)	400	263	329	394	460	526	592	657	789	920	1052
<b>18 °C</b> (Δt = 44,5)	400	242	302	363	423	484	544	605	726	847	968	1089	1210
	500	288	360	432	504	575	647	719	863	1007	1151	1295	1439
	600	331	414	497	580	663	746	828	994	1160	1325	1491	1657
<b>20 °C</b> (Δt = 42,5)	400	228	285	342	399	456	513	570	684	798	912	1027	1141
	500	271	339	407	475	542	610	678	813	949	1085	1220	1356
	600	312	390	468	546	624	702	780	936	1092	1248	1404	1560
<b>22 °C</b> (Δt = 40,5)	400	214	268	322	375	429	483	536	643	751	858	965	1072
	500	255	319	382	446	510	573	637	764	892	1019	1147	1274
	600	293	366	439	513	586	659	732	879	1025	1172	1318	1464
<b>24 °C</b> (Δt = 38,5)	400	201	251	302	352	402	452	503	603	704	804	905	1005
	500	239	298	358	418	477	537	597	716	835	955	1074	1193
	600	274	343	411	480	548	617	685	822	959	1096	1233	1370

# 22

**Watt Heating output**  
 Inlet temp. **90 °C**  
 Outlet temp. **70 °C**

Room Temp. Темп. среды Temp. zraka (°C)	Height Высота Višina (mm)	Length (mm)											
		400	500	600	700	800	900	1000	1200	1400	1600	1800	2000
		<b>15 °C</b> (Δt = 65)	300	-	-	826	963	1101	1239	1376	1652	1927	2202
<b>18 °C</b> (Δt = 62)	400	-	-	1044	1218	1392	1566	1740	2089	2437	2785	3133	3481
	500	852	1065	1278	1490	1703	1916	2129	2555	2981	3407	3833	4258
	600	1033	1291	1549	1808	2066	2324	2582	3099	3615	4131	4648	5164
<b>20 °C</b> (Δt = 60)	300	-	-	776	906	1035	1164	1294	1552	1811	2070	2329	2587
	400	-	-	981	1145	1308	1472	1635	1962	2289	2616	2943	3270
	500	800	1000	1200	1400	1600	1800	1999	2399	2799	3199	3599	3999
600	969	1211	1454	1696	1938	2180	2423	2907	3392	3876	4361	4845	
<b>22 °C</b> (Δt = 58)	300	-	-	744	868	991	1115	1239	1487	1735	1983	2231	2479
	400	-	-	940	1096	1253	1409	1566	1879	2192	2506	2819	3132
	500	766	957	1149	1340	1531	1723	1914	2297	2680	3063	3446	3828
600	927	1159	1391	1622	1854	2086	2318	2781	3245	3708	4172	4635	
<b>24 °C</b> (Δt = 56)	300	-	-	711	830	948	1067	1185	1423	1660	1897	2134	2371
	400	-	-	898	1048	1198	1348	1497	1797	2096	2396	2695	2995
	500	732	915	1098	1281	1464	1647	1830	2196	2562	2928	3294	3660
600	886	1107	1328	1550	1771	1993	2214	2657	3100	3542	3985	4428	

# 22

**Watt Heating output**  
 Inlet temp. **70 °C**  
 Outlet temp. **55 °C**

Room Temp. Темп. среды Temp. zraka (°C)	Height Высота Višina (mm)	Length (mm)											
		400	500	600	700	800	900	1000	1200	1400	1600	1800	2000
		<b>15 °C</b> (Δt = 47,5)	300	-	-	548	639	730	821	913	1095	1278	1460
<b>18 °C</b> (Δt = 44,5)	400	-	-	690	805	920	1035	1150	1380	1611	1841	2071	2301
	500	561	701	842	982	1122	1263	1403	1684	1964	2245	2525	2806
	600	676	845	1014	1184	1353	1522	1691	2029	2367	2705	3043	3382
<b>20 °C</b> (Δt = 42,5)	300	-	-	503	586	670	754	838	1005	1173	1341	1508	1676
	400	-	-	633	739	844	950	1055	1267	1478	1689	1900	2111
	500	515	643	772	900	1029	1158	1286	1544	1801	2058	2315	2573
600	619	774	929	1084	1239	1393	1548	1858	2168	2477	2787	3096	
<b>22 °C</b> (Δt = 40,5)	300	-	-	473	552	631	710	789	947	1104	1262	1420	1578
	400	-	-	596	695	795	894	993	1192	1391	1589	1788	1987
	500	484	605	726	847	968	1089	1210	1452	1694	1936	2178	2420
600	582	728	873	1019	1164	1310	1455	1746	2037	2328	2619	2910	
<b>24 °C</b> (Δt = 38,5)	300	-	-	444	518	592	667	741	889	1037	1185	1333	1481
	400	-	-	559	652	746	839	932	1119	1305	1491	1678	1864
	500	454	567	681	794	908	1021	1135	1362	1589	1816	2043	2270
600	545	682	818	954	1091	1227	1363	1636	1909	2181	2454	2727	

MOD. Мод.	L	400	500	600	700	800	900	1000	1200	1400	1600	1800	2000
<b>11</b> ASSOT23-03	400	281	352	422	492	562	633	703	844	984	1125	1265	1406
	500	334	418	502	585	669	752	836	1003	1170	1338	1505	1672
	600	386	483	580	676	773	869	966	1159	1352	1546	1739	1932
<b>22</b> ASSOT23-05	300	390	488	585	683	780	878	975	1170	1365	1560	1755	1950
	400	498	623	747	872	996	1121	1245	1494	1743	1992	2241	2490
	500	601	751	901	1051	1202	1352	1502	1802	2103	2403	2704	3004
	600	722	903	1084	1264	1445	1625	1806	2167	2528	2890	3251	3612

**WATER CONTENT, WEIGHT AND SURFACE (COATABLE) PER METER**

Mod.	Height		300	400	500	600	800	900
			<b>11</b>	Water content (l)	2,33	2,40	2,70	3,88
	Weight (kg)	8,60	10,48	13,46	16,80	22,76	24,86	
	Surface (m <sup>2</sup> )	1,21	2,21	3,20	4,19	5,19	7,16	
<b>22</b>	Water content (l)	4,66	4,80	5,40	7,76	8,00	11,02	
	Weight (kg)	17,20	20,96	25,85	32,50	43,59	48,43	
	Surface (m <sup>2</sup> )	2,43	4,41	6,39	8,37	10,35	14,37	

H. 900 available end of year 2010

**Watt Heating output**

**EN 442 Δt = 50 K**

Inlet temp. **75 °C**

Outlet temp. **65 °C**

Room temp. **20 °C**

Inlet temp. t <sub>e</sub> (°C)	Room temp. t <sub>a</sub> (°C)	Outlet temp. t <sub>u</sub> (°C)													
		25	30	35	40	45	50	55	60	65	70	75	80	85	90
95	24	4,23	2,29	1,77	1,48	1,29	1,15	1,04	0,96	0,89	0,83	0,78	0,73	0,70	0,66
	22	2,91	1,99	1,60	1,36	1,20	1,08	0,99	0,91	0,85	0,79	0,75	0,70	0,67	0,64
	20	2,35	1,76	1,46	1,26	1,13	1,02	0,93	0,87	0,81	0,76	0,72	0,68	0,64	0,61
	18	2,00	1,58	1,34	1,18	1,06	0,96	0,89	0,83	0,77	0,73	0,69	0,65	0,62	0,59
	15	1,67	1,38	1,20	1,07	0,97	0,89	0,83	0,77	0,72	0,68	0,65	0,62	0,59	0,56
	12	1,43	1,23	1,09	0,98	0,90	0,83	0,77	0,72	0,68	0,65	0,61	0,59	0,56	0,54
90	24	4,56	2,45	1,88	1,57	1,36	1,21	1,10	1,01	0,93	0,87	0,82	0,77	0,73	
	22	3,11	2,11	1,69	1,44	1,27	1,14	1,04	0,96	0,89	0,83	0,78	0,74	0,70	
	20	2,50	1,87	1,54	1,33	1,19	1,07	0,98	0,91	0,85	0,80	0,75	0,71	0,67	
	18	2,13	1,68	1,42	1,24	1,11	1,01	0,93	0,87	0,81	0,76	0,72	0,68	0,65	
	15	1,76	1,46	1,26	1,13	1,02	0,93	0,87	0,81	0,76	0,72	0,68	0,64	0,61	
	12	1,51	1,29	1,14	1,03	0,94	0,87	0,81	0,76	0,71	0,67	0,64	0,61	0,58	
85	24	4,94	2,63	2,00	1,67	1,45	1,29	1,16	1,07	0,99	0,92	0,86	0,81		
	22	3,34	2,26	1,80	1,53	1,34	1,21	1,10	1,01	0,94	0,88	0,82	0,78		
	20	2,67	1,99	1,64	1,41	1,25	1,13	1,04	0,96	0,89	0,84	0,79	0,75		
	18	2,27	1,78	1,50	1,31	1,18	1,07	0,98	0,91	0,85	0,80	0,75	0,72		
	15	1,87	1,54	1,33	1,19	1,07	0,98	0,91	0,85	0,80	0,75	0,71	0,67		
	12	1,60	1,36	1,20	1,08	0,99	0,91	0,85	0,79	0,75	0,70	0,67	0,64		
80	24	5,38	2,83	2,15	1,78	1,54	1,37	1,24	1,13	1,05	0,97	0,91			
	22	3,61	2,42	1,93	1,63	1,43	1,28	1,16	1,07	0,99	0,93	0,87			
	20	2,87	2,13	1,75	1,50	1,33	1,20	1,10	1,01	0,94	0,88	0,83			
	18	2,42	1,90	1,60	1,39	1,24	1,13	1,04	0,96	0,90	0,84	0,79			
	15	1,99	1,64	1,41	1,25	1,13	1,04	0,96	0,89	0,84	0,79	0,75			
	12	1,69	1,44	1,27	1,14	1,04	0,96	0,89	0,83	0,78	0,74	0,70			
75	24	5,90	3,07	2,32	1,92	1,66	1,47	1,32	1,21	1,12	1,04				
	22	3,92	2,61	2,07	1,75	1,53	1,37	1,24	1,14	1,05	0,98				
	20	3,10	2,28	1,87	1,61	1,42	1,28	1,17	1,08	1,00	0,94				
	18	2,61	2,03	1,70	1,48	1,32	1,20	1,10	1,02	0,95	0,89				
	15	2,13	1,75	1,50	1,33	1,20	1,10	1,01	0,94	0,88	0,83				
	12	1,80	1,53	1,34	1,21	1,10	1,01	0,94	0,88	0,82	0,78				
70	24	6,54	3,36	2,52	2,08	1,79	1,58	1,42	1,30	1,19					
	22	4,30	2,84	2,24	1,89	1,64	1,47	1,33	1,22	1,13					
	20	3,38	2,47	2,02	1,73	1,52	1,37	1,25	1,15	1,07					
	18	2,82	2,19	1,83	1,59	1,42	1,28	1,17	1,08	1,01					
	15	2,28	1,87	1,61	1,42	1,28	1,17	1,08	1,00	0,94					
	12	1,93	1,63	1,43	1,28	1,16	1,07	0,99	0,93	0,87					
65	24	7,33	3,70	2,76	2,27	1,94	1,71	1,54	1,40						
	22	4,75	3,11	2,44	2,05	1,78	1,59	1,43	1,31						
	20	3,70	2,69	2,19	1,87	1,64	1,47	1,34	1,23						
	18	3,07	2,37	1,98	1,71	1,52	1,37	1,26	1,16						
	15	2,47	2,02	1,73	1,52	1,37	1,25	1,15	1,07						
	12	2,07	1,75	1,53	1,37	1,24	1,14	1,05	0,98						
60	24	4,13	3,06	2,50	2,13	1,87	1,68	<b>Correction factors for:</b>							
	22	5,32	3,44	2,69	2,24	1,94	1,73	1,56	Inlet temperature from 95 °C to 40 °C						
	20	4,10	2,96	2,39	2,03	1,78	1,60	1,45	Outlet temperature from 90 °C to 25 °C						
	18	3,38	2,59	2,15	1,86	1,65	1,48	1,36	Room temperature from 24 °C to 12 °C						
	15	2,69	2,19	1,87	1,64	1,47	1,34	1,23	Exponent n = 1,30						
	12	2,24	1,89	1,64	1,47	1,33	1,22	1,13							
55	24	4,67	3,43	2,78	2,37	2,07	1,87	<b>Поправочный множитель для:</b>							
	22	6,03	3,86	2,99	2,48	2,15	1,90	Температуры на входе от 95 °C до 40 °C							
	20	4,60	3,29	2,64	2,24	1,96	1,75	Температуры на выходе от 90 °C до 25 °C							
	18	3,75	2,86	2,36	2,03	1,80	1,62	Температуры среды от 24 °C до 12 °C							
	15	2,96	2,39	2,03	1,78	1,60	1,45	Показатель n = 1,30							
	12	2,44	2,05	1,78	1,59	1,43	1,31								
50	24	5,39	3,92	3,15	2,67	2,30	2,07	<b>Korektorni faktorji za:</b>							
	22	6,97	4,39	3,38	2,79	2,40	2,17	Temperaturo na dotoku od 95 °C do 40 °C							
	20	5,23	3,70	2,96	2,50	2,17	1,96	Temperaturo na iztoku od 90 °C do 25 °C							
	18	4,22	3,20	2,63	2,25	1,98	1,75	Temperaturo zraka od 24 °C do 12 °C							
	15	3,29	2,64	2,24	1,96	1,75	1,56	Eksponent n = 1,30							
	12	2,69	2,24	1,94	1,73	1,56	1,40								
45	24	6,38	4,58	3,66	3,19	2,78	2,48	<b>Exponent "n" IMAS</b>							
	22	5,11	3,89	3,19	2,83	2,48	2,17	<b>Показатель "n" IMAS</b>							
	20	6,08	4,25	3,37	2,83	2,48	2,17	<b>"Eksponent" "n" IMAS</b>							
	18	4,84	3,63	2,96	2,53	2,17	1,90	<b>Mod 11K   21K   22K   33K</b>							
	15	3,70	2,96	2,50	2,17	1,90	1,63	<b>H</b>							
	12	2,99	2,48	2,15	1,90	1,63	1,36	<b>300</b> - - 1,31 1,31							
40	24	7,87	5,54	4,42	3,81	3,31	2,96	<b>400</b> 1,28 - 1,32 1,32							
	22	6,14	4,62	3,71	3,19	2,78	2,48	<b>500</b> 1,29 1,30 1,33 1,34							
	20	7,28	5,01	3,93	3,31	2,81	2,48	<b>600</b> 1,31 1,30 1,35 1,36							
	18	5,68	4,21	3,41	2,81	2,48	2,17								
	15	4,25	3,37	2,83	2,48	2,17	1,90								
	12	3,38	2,79	2,40	2,17	1,90	1,63								
		25	30	35	40	45	50	55	60	65	70	75	80	85	90

**CORRECTION FACTOR FOR THE CALCULATION OF THE HEAT OUTPUT FOR THE DIFFERENT**

**ΔT VALUES - IT APPLIES TO CONVENTIONAL AND LOW-TEMPERATURE SYSTEMS**

The temperature values of:

- fluid delivery t<sub>e</sub>
  - fluid return t<sub>u</sub>
  - the room t<sub>a</sub>
- shown in the table determine together the correction factor F.

To calculate the heat output in compliance with EN 442 Q<sub>n</sub>, multiply the thermal

need, Q<sub>f</sub> for the correction factor F.

$$Q_n = Q_f \cdot F$$

Q<sub>n</sub> = heat output in compliance with EN 442 tm = 70 °C (75/65), ta = 20 °C

Q<sub>f</sub> = thermal need

F = correction factor as shown in the table

**EXAMPLE**

In the following two cases the thermal needs is = Q<sub>f</sub> 830 Watt:

**Case A**

Conventional system  
t<sub>e</sub> = 80 °C; t<sub>u</sub> = 70 °C; t<sub>a</sub> = 18 °C Correction factor F = 0,84 (in the table)  
Q<sub>n</sub> = Q<sub>f</sub> • F = 830 • 0,84 = 697 W

It is possible to choose: Mod. 11/800/0500 = 737 W Mod. 11/400/0900 = 747 W Mod. 22/500/0400 = 715 W

**Case B**

For low-temperature NT system  
t<sub>e</sub> = 60 °C; t<sub>u</sub> = 50 °C; t<sub>a</sub> = 20 °C Correction factor F = 1,60 (in the table)  
Q<sub>n</sub> = Q<sub>f</sub> • F = 830 • 1,60 = 1328 W

It is possible to choose: Mod. 21/600/1600 = 1358 W Mod. 22/600/1200 = 1343 W





# NIKO HEATING

## **Niko Bathrooms**

Unit 5  
Broomhill Business Complex,  
Tallaght,  
D24X27O

**T:** (01) 400 0000

**E:** [sales@nikobathrooms.ie](mailto:sales@nikobathrooms.ie)

**[www.nikobathrooms.ie](http://www.nikobathrooms.ie)**

